

CODE NUMBER

3346182

DESCRIPTION

Graphite Finish, Sloan® Deck-Mounted Foam Soap Dispenser.

DETAILS

- Finish: Graphite (GR)
- Power Type: Hardwired
- Height: 4 ¾" (112mm)
- Width: 4 ¾" (112mm)
- Depth: 4 ½" (114mm)
- Sensor Type: IR

FEATURES

Sensor Activated, Electronic, Graphite PVD Plated Die Cast Body, Hand Washing Foam Soap Dispenser with the following features:

- Modular One-piece Construction easily attaches to deck surface
- Low Soap Level Indicator
- One tool service
- All electronics sealed
- Double infrared sensors with automatic setting feature
- Soap sold separately

ELECTRICAL SPECIFICATIONS

- AC Power Plug-In Only: Yes
- Sensor Range: 4" - 5" (102-127mm)
- Self-Adjustment Range: 1" - 6" (25-152mm)

**COMPLIANCES & CERTIFICATIONS**

(WELL Building Standard)

RECOMMENDED SPECIFICATION

Sloan Optima Foam Soap Dispenser model number ESD-400. Graphite finish.

DOWNLOADS

- [ESD-400 Installation Instructions](#)
- [ESD-400 Maint Guide](#)
- [Additional Downloads](#)

NOTES

All information contained within this document subject to change without notice.

Sloan 10500 Seymour Ave, Franklin Park, IL 60131

Phone: 800.982.5839 • Fax: 800.447.8329 • sloan.com

SOAP REFILLS

- SJS-1751 (1000mL)
- SJS-1751-3 (1000mL)
- SJS-1751-4 (1000mL)

VIDEOS

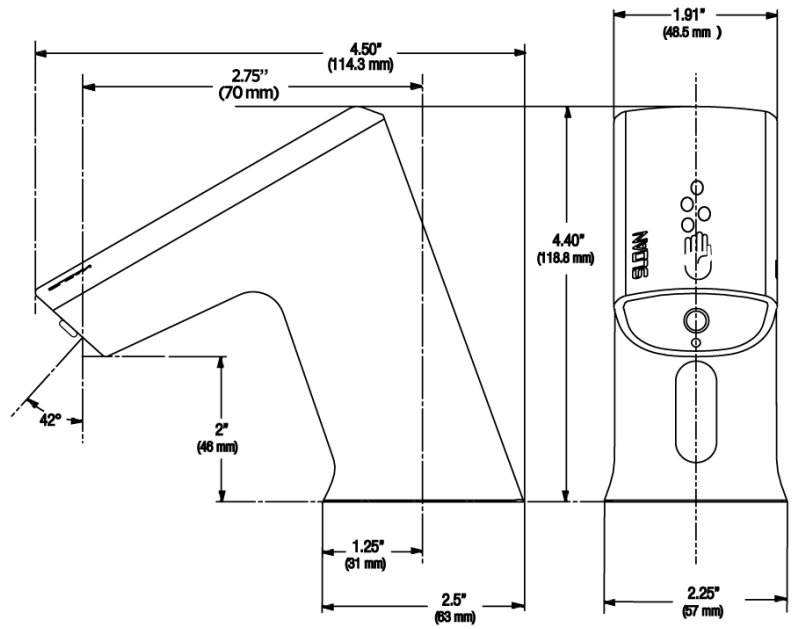
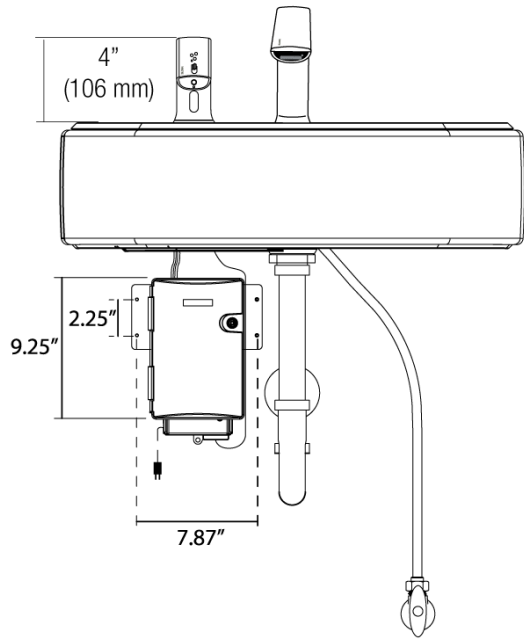
-  PVD Special Finishes

Sloan 10500 Seymour Ave, Franklin Park, IL 60131

Phone: 800.982.5839 • Fax: 800.447.8329 • sloan.com

ROUGH-IN

NOTE: Faucet shown
as reference



Sloan 10500 Seymour Ave, Franklin Park, IL 60131
Phone: 800.982.5839 • Fax: 800.447.8329 • sloan.com